

YXR320

A RELIABLE ZERO-TURN THAT POWERS YOUR
DEDICATION AND EFFICIENCY.



YAKTA

MOWER INNOVATIONS DRIVEN BY YOU.

Your feedback powers our innovations. We've put in thousands of hours listening to what you need in a zero-turn lawn mower. We aren't satisfied with "good enough."

The YXR 320 is built for those who demand reliability and efficiency, with the strength to tackle the toughest challenges on your property. From its durable construction to unmatched support, you'll have less to worry about. Yakta's YXR 320 allows you to focus on what really matters, while you enjoy stunning cut quality and performance that keeps up with your lawn care needs.

FEATURES



OPTIONAL UPGRADE:
Reclining Suspension Seat with Up To 3"
Travel & Adjustable Lumbar Support.

COMFORTABLE RIDE

Suspension Seat with 1.5"
Travel and Armrests.



VERSATILITY COMES STANDARD

Hitch Plate. (rear)

EXTRA CONVENIENCE

Cup Holder Built into Gas Tank.

GREAT TRACTION

23" x 10.5" Drive Tires.

WORRY-FREE DURABILITY

1/4" Caster Forks.
1.5" x 3" Steel Tube Caster Arm & Frame.

BUILT-TO-LAST STRENGTH

7-Gauge Steel & Reinforcements
Around the Spindles.

Product specifications subject to change, images may include optional extras. Products may not be exactly as shown.

MOWER

SPECS



Kawasaki
— ENGINES —

27 HP
FX850V



VANGUARD

26 HP
Vanguard 810



61" deck shown

48"

LENGTH 84.75"

WIDTH 50.25" (Chute up)

HEIGHT 72.25" (ROPS up)

54"

LENGTH 84.75"

WIDTH 56.5" (Chute up)

HEIGHT 72.25" (ROPS up)

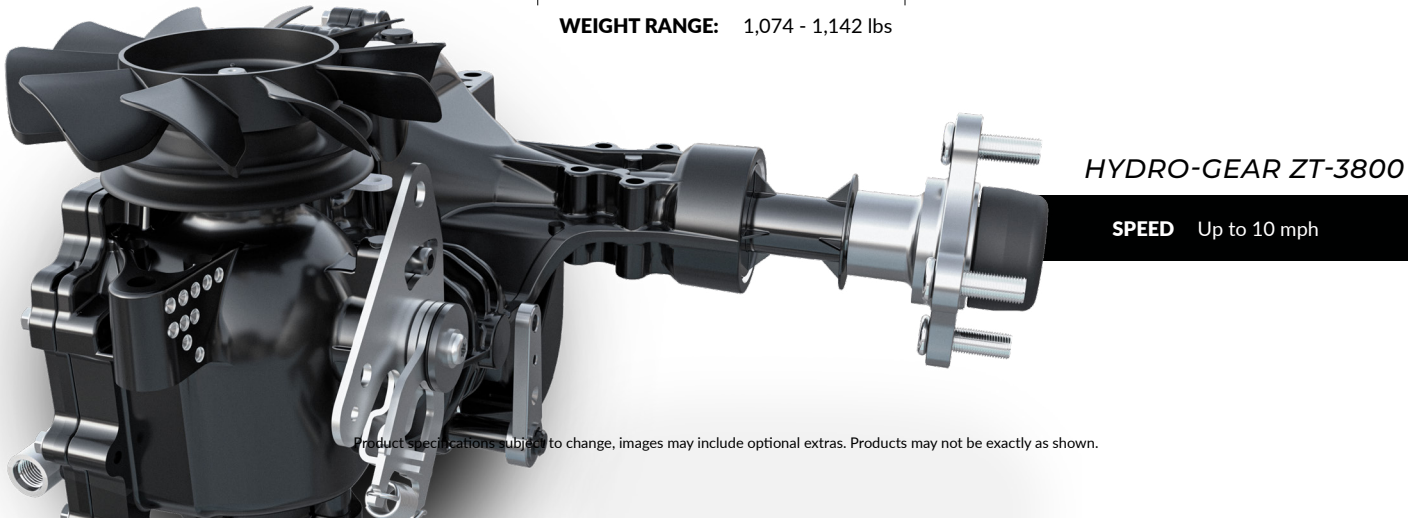
61"

LENGTH 84.75"

WIDTH 63.25" (Chute up)

HEIGHT 72.25" (ROPS up)

WEIGHT RANGE: 1,074 - 1,142 lbs



Product specifications subject to change, images may include optional extras. Products may not be exactly as shown.

STAY AGILE: GET MORE FROM YOUR MOWER



CONTROL IN TIGHT SPACES
The 23" x 10.5" Turf Armor drive tires give you great traction and maneuverability.



CUSTOMIZE YOUR CUT
Get the cut you want from 1.5" to 5" cut heights in 1/4" increments.



Product specifications subject to change, images may include optional extras. Products may not be exactly as shown.

**POWER YOUR MOWER
WITH RELIABLE ENGINES**

Choose between a Kawasaki 27 HP or
Vanguard 26 HP engine.

STAY AT A SMOOTH SPEED

Easily move around the yard with speeds
up to 10 mph.

**DRIVE THAT HANDLES
DEMANDING TASKS**

Get heavy-duty performance that
delivers thanks to Hydro-Gear's ZT-
3800 commercial-level drive system.



COMFORT COMES STANDARD

Enjoy your ride with the suspension seat
with up to 1.5" travel.



**LESS FILLING UP, MORE TIME
MOWING**

Keep going with the 8-gallon fuel capacity.

PRO-LEVEL
PERFORMANCE:
**EFFORTLESS
EFFICIENCY**



YAKTA

RELIABLE
STRENGTH:

**DESIGNED FOR
DURABILITY**

Product specifications subject to change. Images may include optional extras. Products may not be exactly as shown.

BUILT-TO-LAST DECK

Worry less with the 7-gauge steel deck with reinforced strength that protects the spindles and holds up against rough terrain.



STRONG FRAME

Engineered to handle demanding landscapes with 1/4" caster forks and a 1.5" x 3.0" steel frame.



UNINTERRUPTED FUN WITH LARGE FRONT TIRES

Face any path without a second thought thanks to the smooth 13" x 6.5" front tires.



WARRANTY

RESIDENTIAL

**5 YEARS.
1,000 HOURS.**

COMMERCIAL

**2 YEARS.
UNLIMITED HOURS.**

NO WORRIES.

NO HIDDEN TERMS, NO FINE PRINT, LESS DOWNTIME.

At Yakta, you are backed by an extensive zero-turn mower warranty.

COVERS **EVERYTHING** EXCEPT:

BATTERY. BLADES. TIRES.



READY TO HELP YOU OUT WHEN YOU NEED IT.

Our team is dedicated to addressing your needs. With Yakta:

- You get live troubleshooting.
- We take care of all parts of the warranty claim. No need to call up the engine manufacturer or other OEMs.
- Your feedback is heard, and we quickly adapt to improve our products.
- Solving your mowing problems is why we exist.

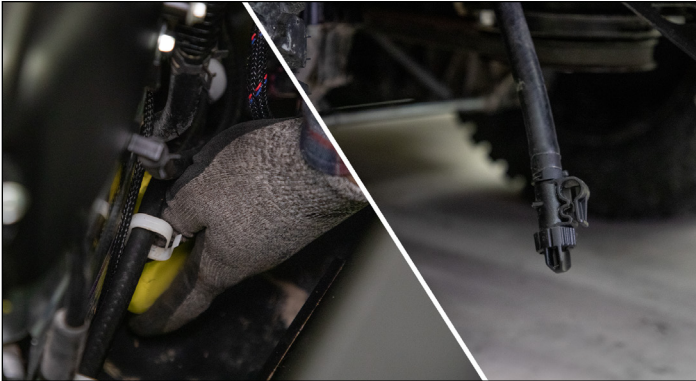
You can mow with certainty,
knowing we have your back.

UNPARALLELLED CUSTOMER SUPPORT

Product specifications subject to change. Images may include optional extras. Products may not be exactly as shown.



EASY MAINTENANCE: **MORE UPTIME**



TOOL-FREE OIL CHANGES

No need to get on the ground or raise your mower to change the oil with the tool-free oil drain extender and easy to remove oil filter.




QUICK BELT CHANGES

Don't worry about changing the deck belt, with a breaker bar or ratchet you can easily use the tensioner arm to adjust and replace the belt.



NO GREASE NEEDED

Spend less time in the garage and more time moving since all grease points are sealed from potential debris and include high-quality grease.



**CUSTOMER SATISFACTION
DRIVES US TO CONSTANTLY
IMPROVE AND PUSH
BOUNDARIES.**

Our dedicated team of engineers are working hard to:

- Make mowers that solve common struggles.
- Get the most out of each mower.
- Designs built around easy maintenance.
- Save you time
- Enhance your productivity
- Make the experience of mowing more enjoyable.

With Yakta, we take care of the technical aspects and provide unwavering support, so you get more time to focus on enjoying the outdoors.

CUSTOMER-DRIVEN INNOVATIONS

Product specifications subject to change. Images may include optional extras. Products may not be exactly as shown.

CONTACT YAKTA

1-866-926-9248

sales@yakta.com

yakta.com