

# YXR610

A ZERO-TURN THAT GIVES YOU RUGGED  
PERFORMANCE THAT IS BUILT TO LAST.



# YAKTA

MOWER INNOVATIONS DRIVEN BY YOU.

---

We've put in thousands of hours listening to your feedback to understand what you want in a zero-turn lawn mower. You need a reliable mower that is easy to use and easy to maintain.

From durability and quality to commercial-grade strength and the best warranty in the industry, we have you covered. Because you don't have time to worry. Yakta's YXR 610 zero-turn lawn mower gives you what you need without compromising cut quality and performance. You have enough to worry about without wondering if your mower can keep up.



# FEATURES

## EXTRA CONVENIENCE

Cup Holder Built into Gas Tank.

## COMFORTABLE RIDE

Reclining Suspension Seat with 3" Travel, Armrests, & Lumbar Support.



## TOW WHAT YOU NEED

2" Hitch Receiver. (rear)

## GREAT TRACTION

24" Drive Tires.

## WORRY-FREE DURABILITY

I-Beam Caster Arm Made of 3/16" Steel  
& 3/8" Caster Forks.

## STEP-ANYWHERE STRENGTH

7-Gauge Steel Deck.

Early 2024

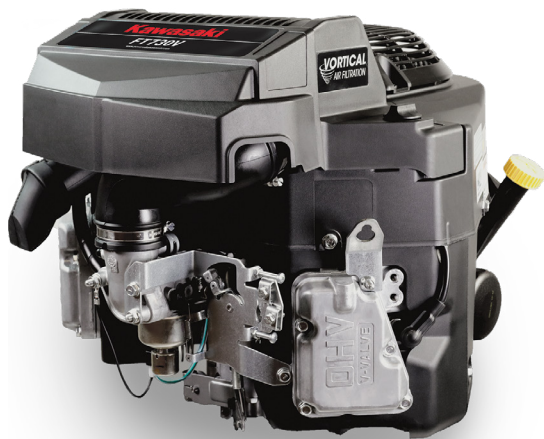
Product specifications subject to change. Images may include optional extras. Products may not be exactly as shown.



# MOWER

---

# SPECS



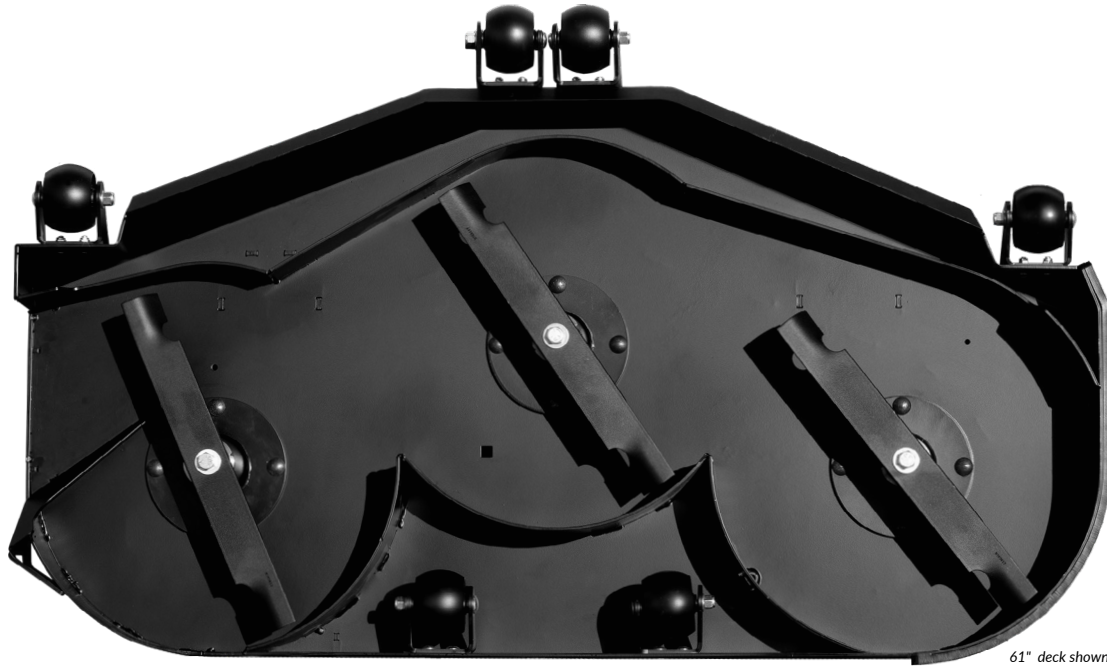
**Kawasaki**  
— ENGINES —

24 HP  
FT730V



27 HP  
CXi





61" deck shown

48"

**WIDTH** 50" (Chute up)

**LENGTH** 83.25"

**HEIGHT** 76.25" (ROPS up)

54"

**WIDTH** 56" (Chute up)

**LENGTH** 83.25"

**HEIGHT** 76.25" (ROPS up)

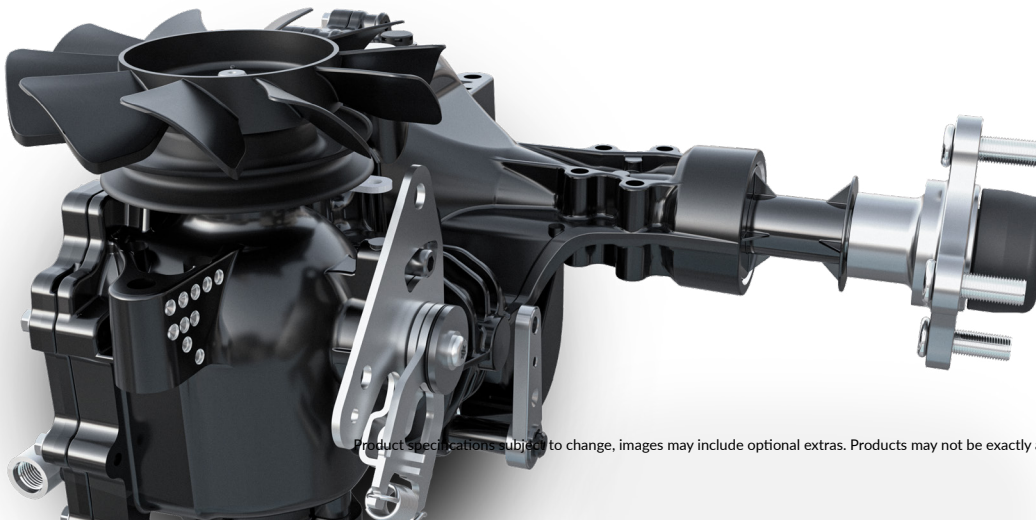
61"

**WIDTH** 63" (Chute up)

**LENGTH** 83.25"

**HEIGHT** 76.25" (ROPS up)

**WEIGHT RANGE:** 1,244-1,376 lbs



**HYDRO-GEAR ZT-3800**

**SPEED** Up to 10 mph

Product specifications subject to change, images may include optional extras. Products may not be exactly as shown.

# EXTREME VERSATILITY: GET MORE FROM YOUR MOWER



## TOW AS YOU MOW

Bring more of what you need to get the job done with the 2" hitch receiver.



## CUSTOMIZE YOUR CUT

Get the cut you want from 1" to 4.5" cut heights in 1/4" increments.



Product specifications subject to change, images may include optional extras. Products may not be exactly as shown.



**EXPERIENCE RELIABLE  
ENGINE POWER**

Choose between a Kawasaki 24 HP or  
Briggs 27 HP engine.

**STAY AT A SMOOTH SPEED**

Navigate with confidence at a consistent  
pace of up to 10 mph.

**DRIVE THAT HANDLES  
DEMANDING TASKS**

Get heavy-duty performance that  
delivers thanks to Hydro-Gear's ZT-3800  
commercial-level drive system.



**STAY COMFORTABLE ALL DAY**

You'll be feeling fine after a day riding on the  
suspension seat with 3" travel and armrests.



**LESS FILLING UP, MORE TIME  
MOWING**

Keep going with the 8-gallon fuel capacity.

PRO-LEVEL  
PERFORMANCE:  
**EFFORTLESS  
EFFICIENCY**



A close-up, low-angle shot of a black utility vehicle, likely a tractor or similar equipment, parked on a green lawn. The vehicle's body is made of heavy-duty black plastic or metal. The word "YAKTA" is printed in large, bold, white, sans-serif capital letters on the side panel. Below the name, there's a small, dark, shield-shaped logo. The vehicle has large, black, treaded tires. The background is a soft-focus green lawn. The overall lighting is bright, suggesting an outdoor setting during the day.

YAKTA

UNBEATABLE  
DURABILITY:

**BUILT LIKE  
A BEAST**

Product specifications subject to change. Images may include optional extras. Products may not be exactly as shown.



### **STEP-ANYWHERE DECK**

Get into the driver's seat however you want with the 7-gauge steel deck with reinforced strength that protects the spindles and holds up against tough terrain.



### **I-BEAM FRONT FRAME**

Engineered to conquer demanding landscapes with 3/8" caster forks supported by the 3/16" I-beam caster arm.



### **UNINTERRUPTED FUN WITH LARGE FRONT TIRES**

Face any path without a second thought thanks to the flat-free 13" x 6.5" front tires.



WARRANTY



**5 YEARS.**  
**2,000 HOURS.**  
NO WORRIES.

---

NO HIDDEN TERMS, NO FINE PRINT, LESS DOWNTIME.  
At Yakta, you are backed by the most extensive warranty on any zero-turn mower.

COVERS **EVERYTHING** EXCEPT:

BATTERY. BLADES. TIRES.



---

## READY TO HELP YOU OUT WHEN YOU NEED IT.

Our team is dedicated to addressing your needs. With Yakta:

- You get live troubleshooting.
- We take care of all parts of the warranty claim. No need to call up the engine manufacturer or other OEMs.
- Your feedback is heard, and we quickly adapt to improve our products.
- Solving your mowing problems is why we exist.

You can mow with certainty,  
knowing we have your back.

# UNPARALLELLED CUSTOMER SUPPORT

Product specifications subject to change. Images may include optional extras. Products may not be exactly as shown.



# EASY MAINTENANCE: **MORE UPTIME**



## **TOOL-FREE OIL CHANGES**

No need to get on the ground or raise your mower to change the oil with the tool-free oil drain extender and easy to remove oil filter.



## **QUICK AND EASY BELT CHANGES**


Don't worry about needing extra tools, you can adjust and replace the belt tool-free thanks to the tensioner arm.



## **NO GREASE NEEDED**

Spend less time in the garage and more time moving since all grease points are sealed from potential debris and include high-quality grease.





**CUSTOMER SATISFACTION  
DRIVES US TO CONSTANTLY  
IMPROVE AND PUSH  
BOUNDARIES.**

Our dedicated team of engineers are working hard to:

- Make mowers that solve common struggles.
- Get the most out of each mower.
- Designs built around easy maintenance.
- Save you time
- Enhance your productivity
- Make the experience of mowing more enjoyable.

With Yakta, we take care of the technical aspects and provide unwavering support, so you get more time to focus on enjoying the outdoors.

# CUSTOMER-DRIVEN INNOVATIONS

Product specifications subject to change. Images may include optional extras. Products may not be exactly as shown.

# CONTACT YAKTA

1-866-926-9248

[sales@yakta.com](mailto:sales@yakta.com)

[yakta.com](http://yakta.com)